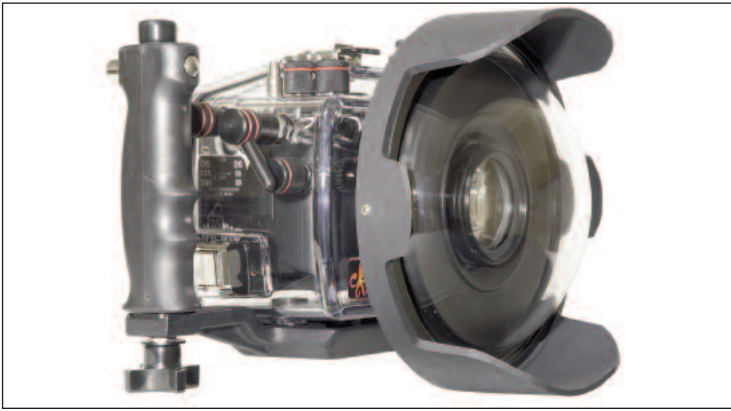


Ikelite 8" Dome with Shade

instruction manual
#5510.45 Ikelite Dome with Shade



Thank you for your purchase of the Ikelite SLR 8" Dome Port. Ikelite products have been designed and built in the USA for over 40 years by Ikelite for both the professional and amateur photographer.

This product should receive the same care and attention as your other photographic products.

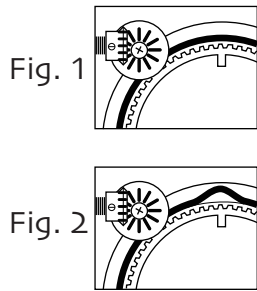
Instruction Index

Pg 2Important Notice
Pg 3Important Information
Pg 4Port Bodies
Pg 5Installing Bodies
Pg 6-7Installing Port on Housing
Pg 8-11Installing Dome with Super Wide Body
Pg 12Optional Replacement O-rings
Pg 13Maintenance
Pg 14-15Installing Dome Port Shade
Pg 16Warranty

Important Information

Port Seal Inside View

Due to the wide overhang of the port flange the port seal is most visible when viewed by looking inside the housing before the camera is inserted. After the port is installed check to see that the o-ring is properly sealed as shown in **Figure 1** and not extruded as shown in **Figure 2**.



CAUTION: When the port will not be used for prolonged periods we recommend removing the Body from the Dome Port. If the Body is not removed for prolonged periods it can make removal difficult.

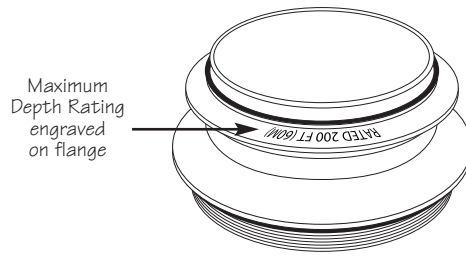
For prolonged storage the Port should be removed from the housing and the Body removed from the Dome Port. The housing/port o-ring and body/base plate o-rings should be removed, cleaned and lightly lubricated.

Cover Dome with protective cover when not in use.

CAUTION: Never use spray lubricants as the propellant ingredient can cause cracking in this product.

Important Notice

Port Bodies are engraved with a Maximum Depth Rating, "RATED 200 FT (60m)". They are engraved on the flat flange that rests against the front of the camera housing, see illustration.

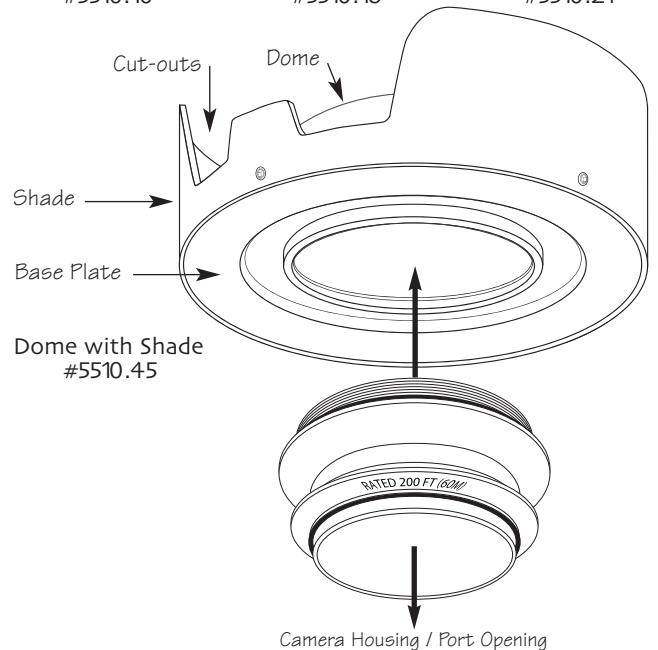


Older Standard and Extended Port Bodies that are NOT ENGRAVED HAVE A MAXIMUM DEPTH RATING OF 150 FEET (45M). The unmarked Standard or Extended Port Bodies can be returned to Ikelite for a no charge replacement with the newer 200 ft. (60m) rated Bodies, **DO NOT** send the Dome.

All Super Wide Bodies are "RATED 200 FT (60m)" Whether they are engraved or not. **DO NOT** return Super Wide Bodies for exchange.

Port Bodies

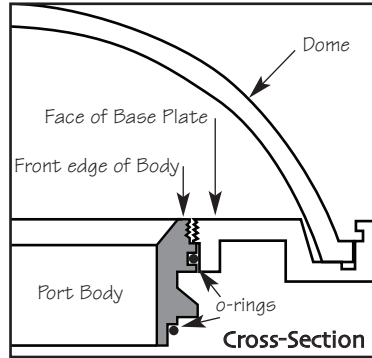
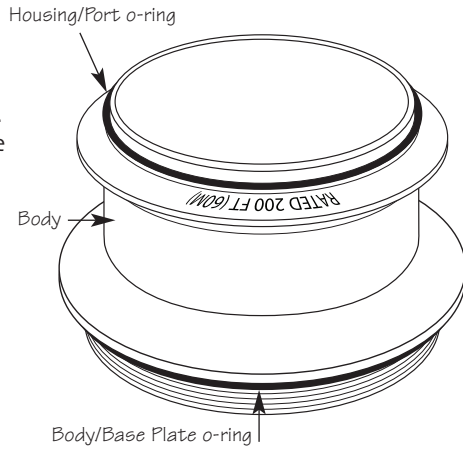
For information on the full selection of 8" Dome Port Bodies see the Ikelite catalog or Ikelite web site.



Installing Bodies

Install Bodies by screwing them into the base plate of the #5510.45 Dome Port. The seal between the Body and the dome base plate is a piston seal and requires the o-ring to be lightly lubricated for easy installation. Remove the Body/Base Plate o-ring, put a small amount of lubricant on your fingers and draw the o-ring through your fingers to lightly lubricate it. Do not stretch the o-ring. Check that the o-ring groove in the Body where the o-ring fits and the sealing surface on the port base plate are clean.

Replace the o-ring onto the Body and then screw the Body into the base plate of the dome port. Screw the Body in until it stops. The front edge of the Body should be flush or slightly above the inside face of the dome base plate as shown in the cross-section.



5

Installing Dome Port con.

The housing/port seal is a piston seal and requires the Housing/Port o-ring to be lightly lubricated for easy installation. Put a small amount of lubricant on your fingers and draw the o-ring through your fingers to lightly lubricate it. Do not stretch the o-ring. Check that the lip of the Body where the o-ring fits and the sealing surface on the housing are clean.

Place the o-ring back onto the Body. Place the port, with the o-ring into the housing's port opening. Press down on the port firmly and evenly until you feel the port slide into place. Continue to push down on the port and push each port lock forward, the Release Button will drop down and click into the locked position.

Check around the perimeter of the port seal to see that the o-ring is properly sealed and not extruded.

Shade Alignment

Rotate the port so the 4 cut-outs in the shade are at the 2, 4, 8 and 10 o'clock positions in relation to the camera lens.

To Remove Port

To remove the port lift up on each Port Lock Release Button and slide the port lock away from the port. Lift port from housing.

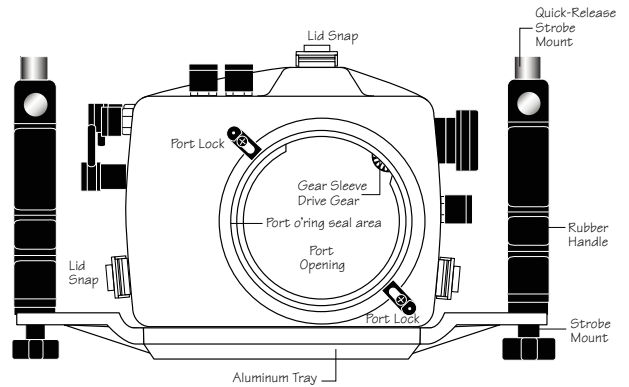
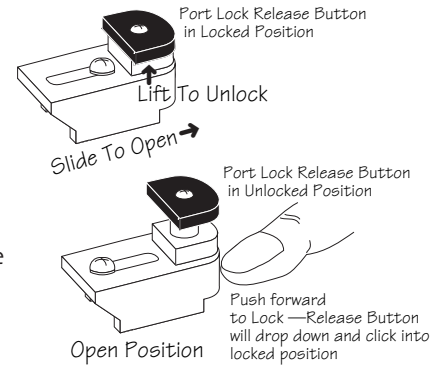
7

Installing Dome Port on Housing

See page 8 for installing Super Wide Port on Housing.

Port Locks

There are two port locks on the front of the housing. (See housing front) Each Port Lock has a Release Button, lift the release button and slide each Port Lock away from the port opening before installing the port. In the unlocked position the Release Button will remain in the up position as shown.



6

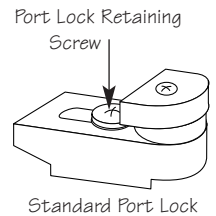
Installing Dome with Super Wide Body

The Super Wide port body is supplied with #9072.24 low profile port locks that must be installed on older housings. If the port locks on your SLR-DC housing does not match the #9072.24 port locks supplied with the Super Wide body you must remove the old port locks and install the #9072.24 low profile port locks.

NOTE: The Low Profile Port Locks will work with any Ikelite port, once they have been installed there is no reason to replace them.

Removing Standard Port Lock

To remove the Standard Port Locks, unscrew the Port Locks retaining screw. Once the retaining screws and washer are removed the Port Locks can be removed from the housings mounting block.



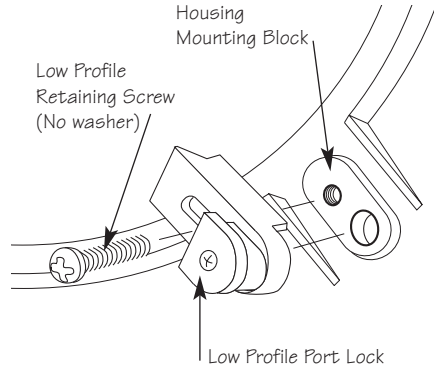
NOTE: These retaining screws and washer will NOT be reused when installing the Low Profile Port Locks.

8

Installing Low Profile Port Lock

Place the Low Profile Port Lock onto the housing, note that the raised area on the underside of the Low Profile Port Lock fits into the large hole on the housing mounting block. Once the Port Lock is in place insert the **Low Profile Retaining screw (provided with the Low Profile Port Lock)** into the screw hole as shown, **No washer is required**. Tighten the screw down until the Low Profile Port Lock will not slide back and forth. Now loosen the Retaining screw 1/4 turn, just enough to allow the Low Profile Port Lock to slide when it is unlocked. After the Low Profile Port Locks have been installed the port is ready for installation.

The #5510.82 which utilizes the #5510.10 Body installs in a bayonet fashion. To install the port onto the housing push the Low Profile Port Locks forward into their locked position. Make sure the Port Lock Release Button is down and locked.



NOTE: The Low Profile Port Locks will work with any Ikelite port, once they have been installed there is no reason to replace them.

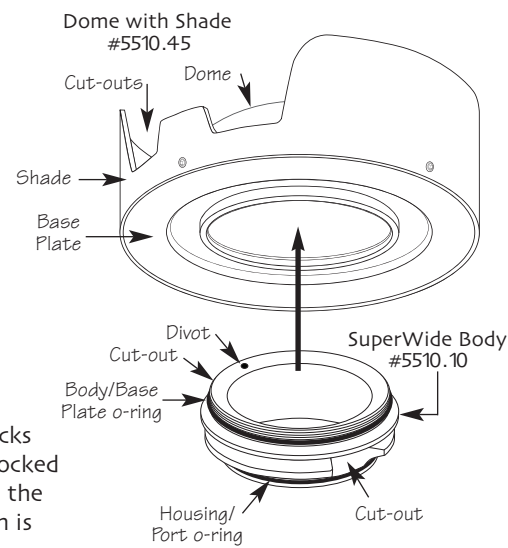
9

Installing the Dome Port with SuperWide Body - cont.

Screw the #5510.10 SuperWide Body into the Base of the #5510.45 Dome Port. See page 5, Installing Bodies.

The #5510.10 SuperWide Body installs on the housing in a bayonet fashion.

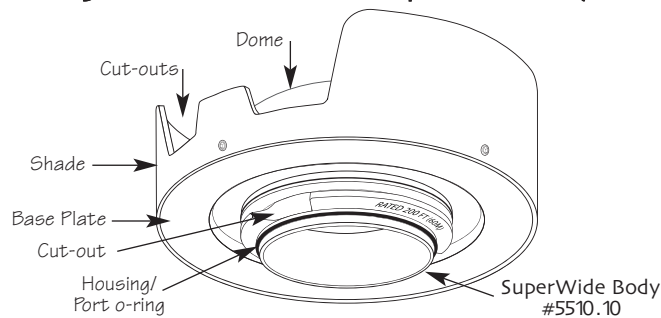
Before installing the port onto the housing push the Low Profile Port Locks forward into their locked position. Make sure the Lock Release Button is down and locked.



The seal between the housing and the port Body is a piston seal and requires the Housing/Port o-ring be lightly lubricated for easy installation. Remove o-ring from body, put a small amount of lubricant on your fingers and draw the o-ring through your fingers to lightly lubricate the o-ring. Do not stretch the o-ring. Check that the lip of the Body where the o-ring fits and the sealing surface on the housing are clean. Place the o-ring back onto the Body.

10

Installing the Dome Port with SuperWide Body - cont.



The #5510.10 SuperWide Body has a "cut-out" on each side, see drawing. Directly above one of the "cut-outs" is a divot in the face of the Body, see drawing page 10. Position the assembled dome with the "divot" directly over one of the Port Locks on the housing. In this position the two "cut-outs" will be aligned with each of the Port Locks for proper installation of the Dome. Press down on the port firmly and evenly until you feel the port slide into place. Continue to push down and rotate the port clockwise until it stops. In this position the port lock flange is secured under each of the Low Profile Port Locks.

Shade Alignment

Check to see that the 4 cut-outs of the lens shade are at the 2, 4, 8, and 10 o'clock positions in relation to the camera lens. If the shade needs to be adjusted, loosen the 4 set screws in the lens shade, position as noted above and then tighten the lens shade set-screws. (See pg 15.)

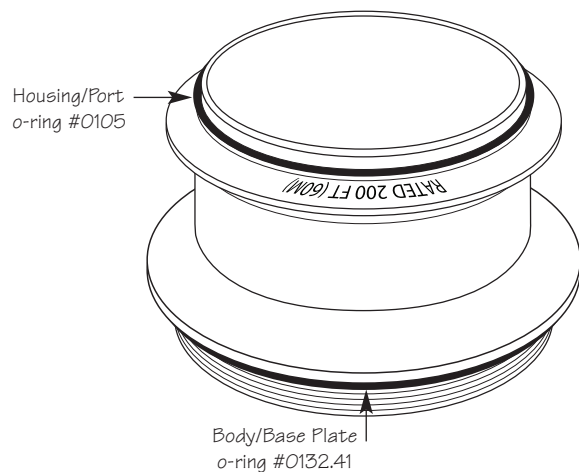
To Remove Port

To remove the port, rotate the port counter-clockwise until the "divot" aligns with the port lock. Lift port from housing.

11

Optional Replacement O-rings for All Bodies

O-rings can last for several years if properly maintained, but it is wise to carry spare o-rings when traveling in case one becomes misplaced or damaged.



12

Maintenance

After each dive the exterior of the housing and Dome Port should be rinsed thoroughly in fresh water and dried with a soft cloth. Remove any water spots from the Dome as they can cause blurry spots in the photographs.

After prolonged saltwater use the exterior of the Dome Port and housing should be soaked in a mild liquid soap and water solution. Rinse thoroughly and dry with a soft cloth.

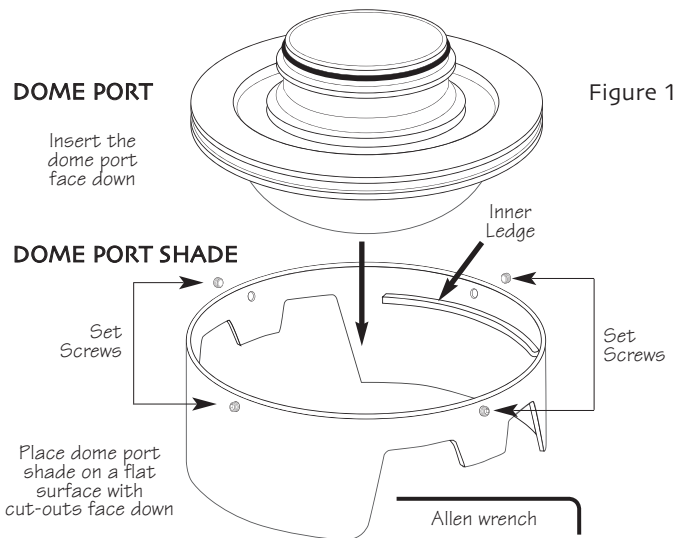
CAUTION: When the port will not be used for prolonged periods we recommend removing the Body from the Dome Port. If the Body is not removed for prolonged periods it can make removal difficult.

For prolonged storage the Port should be removed from the housing and the Body removed from the Dome Port. The housing/port o-ring and body/base plate o-rings should be removed, cleaned and lightly lubricated.

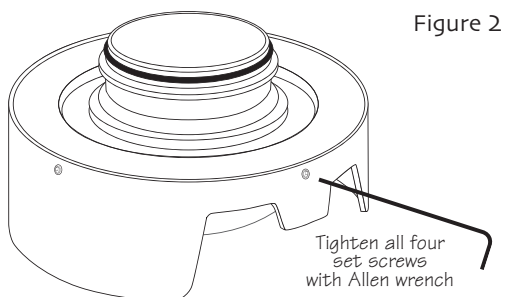
Cover Dome with protective cover when not in use.

CAUTION: Never use spray lubricants as the propellant ingredient can cause cracking in this product.

13



INSTALLED



15

Dome Port Shade Installation/Removal

1. Place the port shade on a flat surface with the cut-out section face **down**, as shown in figure 1.
2. Loosen the four set screws with the Allen wrench. The set screws do not have to be removed, unscrew them until the face of the set screw does not protrude beyond the inside face of the dome shade.
3. Carefully place the port inside the shade with the dome face **down**, as seen in figure 2. The dome port should rest on the two inner ledges of the shade. (see fig. 1)
4. Hold the port in place and tighten the four set screws with the allen wrench provided. Tighten the set-screws until the face of each set-screw is even with the face of the port shade. (see fig. 2)

Cover Dome with Neoprene cover for protection

14

Ikelite Limited Warranty

All Ikelite products are warranted against any manufacturing defects for a period of one year from the date of purchase. Defective products should be returned prepaid to Ikelite. Ikelite will, at its discretion, repair or replace such products, and will return to customer prepaid. All other claims, of any nature, including but not limited to bulb failure are not covered. Except as mentioned above, no other warranty expressed or implied, applies to this Ikelite product.

Returning Products for Service

Ikelite is most interested in performing any service to assure that all products perform as intended. For repair or service, return the product to the address below with your name, address, phone number and a brief description of the problem. Evidence of purchase date must be provided to obtain warranty service.

Ikelite Underwater Systems
50 W 33rd Street
Indianapolis, IN 46208 USA
317-923-4523

email: ikelite@ikelite.com
www.ikelite.com